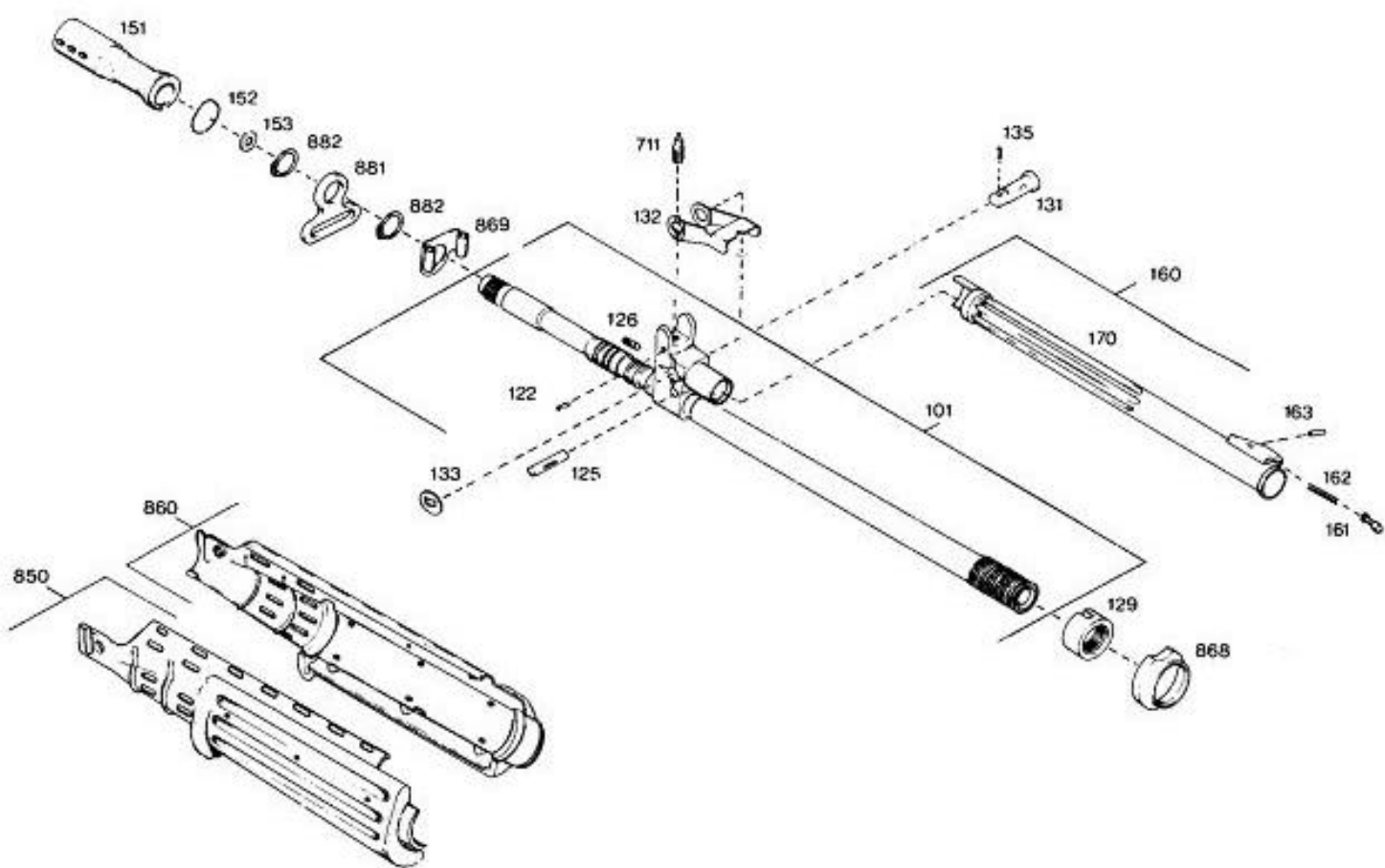
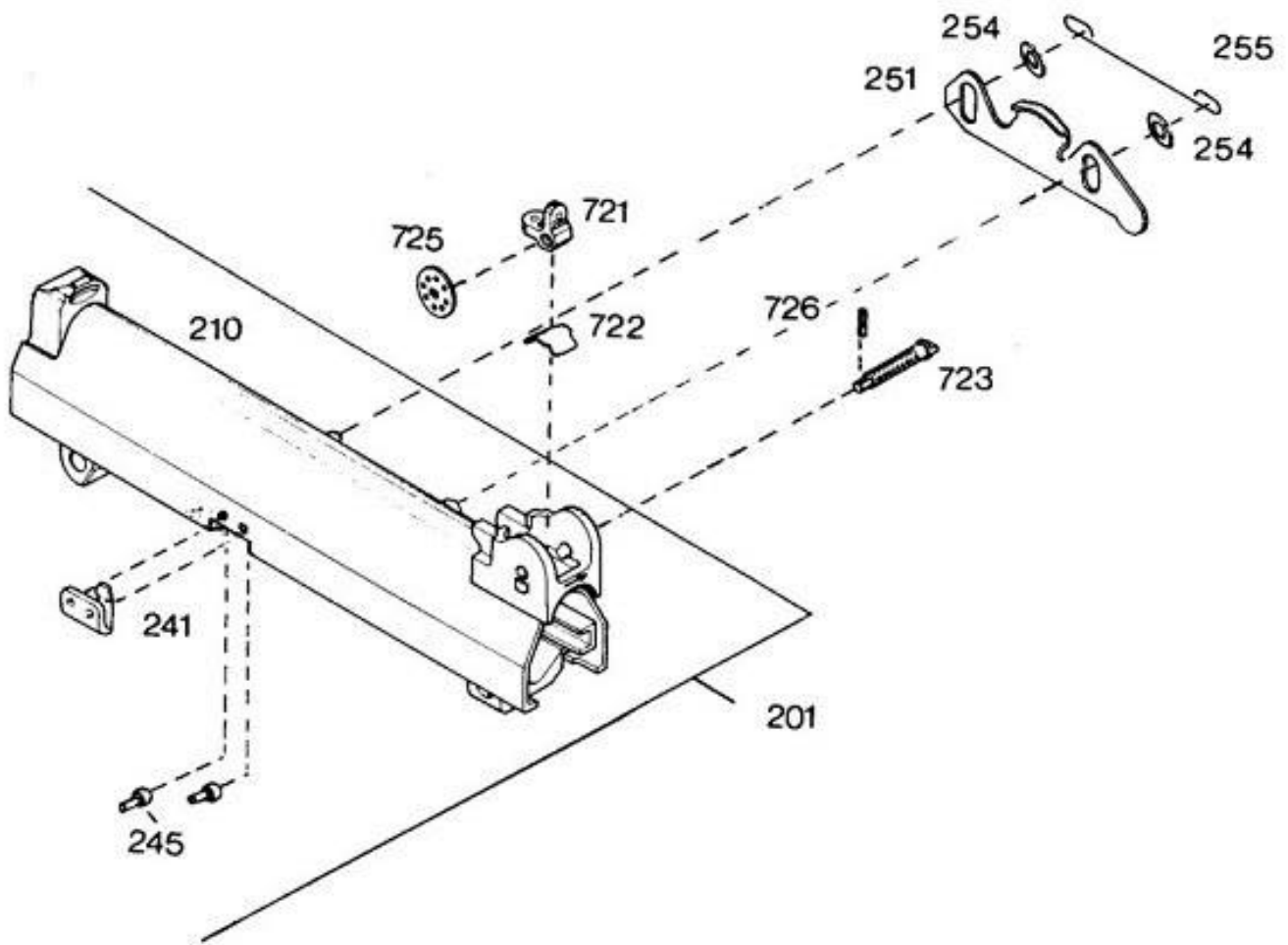


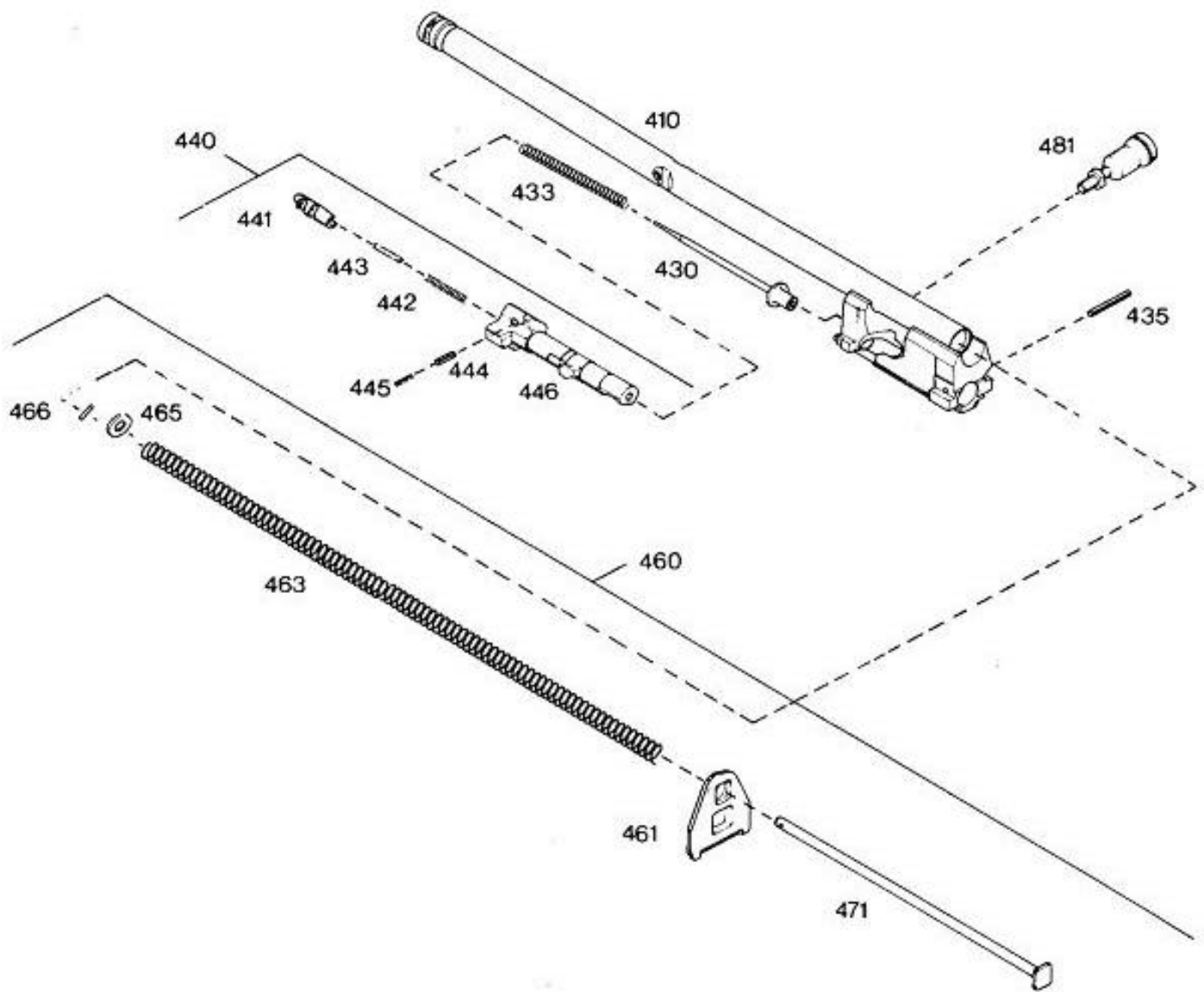
FNC Parts Numbers

| | | | | | |
|-----|------------------------------------|-----|-----------------------------|-----|----------------------------|
| 101 | Barrel assembly | 461 | Stop plate | 567 | Rack stop |
| 122 | Pin, alidade stop | 465 | Washer, rest | 568 | Rack axis pin |
| 125 | Pin, gas block | 466 | Retaining pin, rest washer | 580 | Selector lever |
| 126 | Center punch | 471 | Return spring guide | 590 | Magazine catch assembly |
| 129 | Breech block adjusting nut | 481 | Cocking handle | 595 | Magazine catch spring |
| 131 | Axis, alidade (grenade sight) | 511 | Trigger group housing | 596 | Magazine catch button |
| 132 | Alidade (grenade sight) | 512 | Trigger guard retaining pin | 597 | Magazine catch pin |
| 133 | Spring alidade | 514 | Retaining pin circlip | 711 | Front sight |
| 135 | Pin, alidade axis | 516 | Index spring | 721 | Rear sight |
| 151 | Flash suppressor | 521 | Automatic sear | 722 | Rear sight spring |
| 152 | Retaining spring, grenade | 522 | Automatic sear axis pin | 723 | Rear sight axis pin |
| 153 | Adjusting washer, flash suppressor | 525 | Automatic sear spring | 725 | Rear sight spring pawl |
| 160 | Gas cylinder assembly complete | 531 | Hammer | 726 | Pawl retaining pin |
| 161 | Indicating plunger | 532 | Hammer pawl pin | 810 | Folding buttstock assembly |
| 162 | Retaining plunger spring | 533 | Hammer pawl | 820 | Folding stock components |
| 163 | Retaining pin, indicating plunger | 536 | Hammer pawl spring | 826 | Plastic upper tube sleeve |
| 170 | Gas cylinder assembly | 538 | Hammer axis pin | 827 | Brace |
| 201 | Receiver assembly complete | 541 | Hammer stay | 828 | Hinge assembly block |
| 210 | Receiver components | 542 | Hammer spring | 829 | Buttstock pin |
| 241 | Ejector | 543 | Hammer spring rest | 831 | Hinge plunger |
| 245 | Rivet, ejector | 551 | Trigger | 833 | Hinge retaining pin |
| 251 | Cover, cocking channel | 552 | Front sear | 835 | Buttstock bolt |
| 254 | Washer, cocking channel cover | 553 | Rear sear | 837 | Buttstock support block |
| 255 | Spring, cocking channel cover | 554 | Bush, sears axis pin | 838 | Buttstock support washer |
| 410 | Bolt carrier assembly | 555 | Sears spring | 839 | Buttstock support screw |
| 430 | Firing pin assembly | 556 | Trigger axis | 850 | Handguard assembly, left |
| 433 | Spring, firing pin | 557 | Trigger spring | 860 | Handguard assembly, right |
| 440 | Bolt assembly | 558 | Trigger spring axis | 868 | Rear barrel collar |
| 441 | Extractor | 560 | Burst control assembly | 869 | Handguard spring |
| 442 | Extractor spring | 561 | Burst control housing | 871 | Pistol grip |
| 443 | Extractor spring guide | 562 | Rack assembly | 872 | Trigger guard |
| 444 | Extractor retaining spring | 563 | Rack body | 876 | Pistol grip screw |
| 445 | Pin, extractor, inner | 564 | Rack stud | 881 | Front sling swivel |
| 446 | Bolt-head | 565 | Rack spring | 882 | Sling swivel circlip |
| 460 | Return spring assembly | 566 | Secondary rack | | |

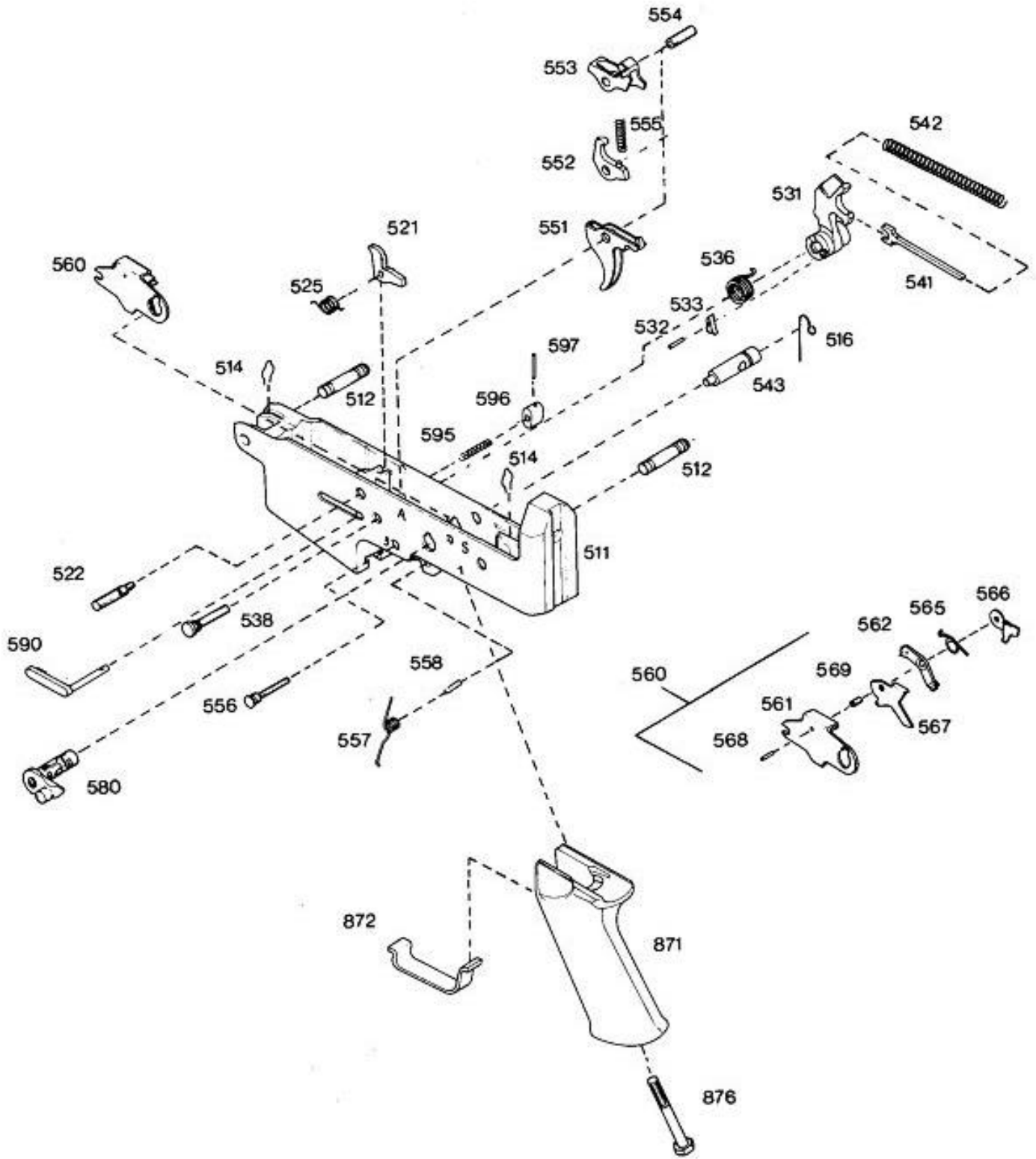




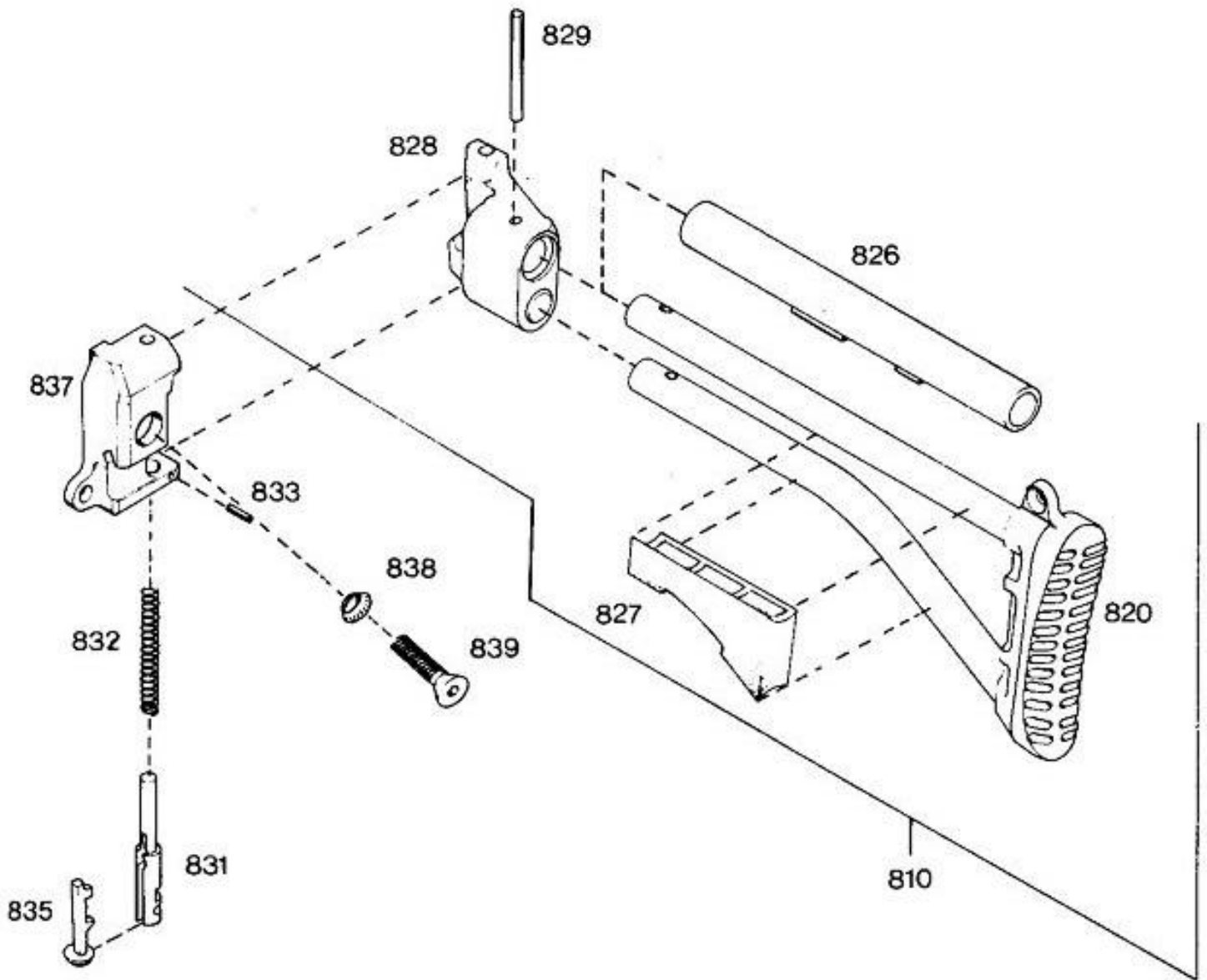
FNC upper receiver assembly.



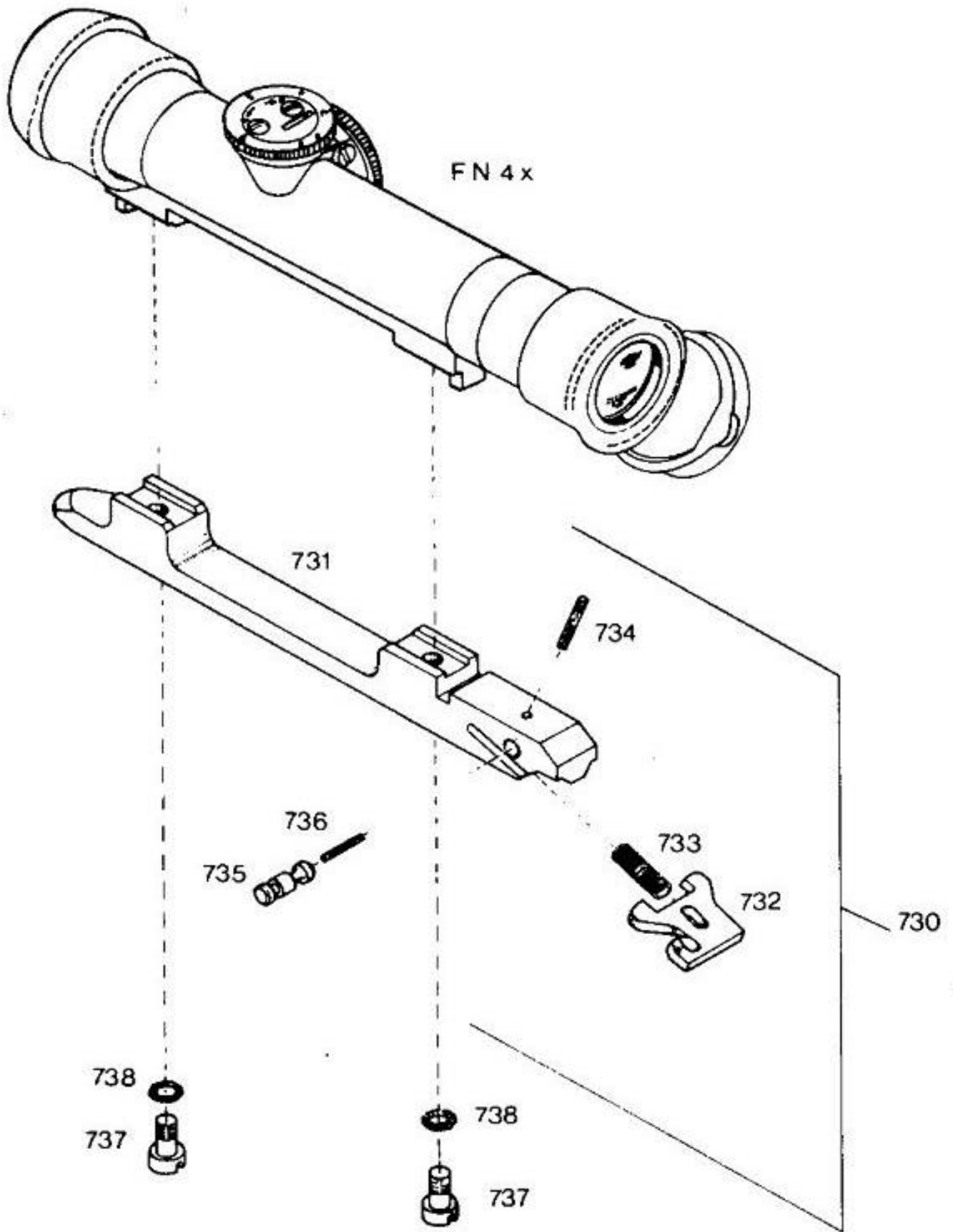
FNC bolt and bolt carrier assembly.



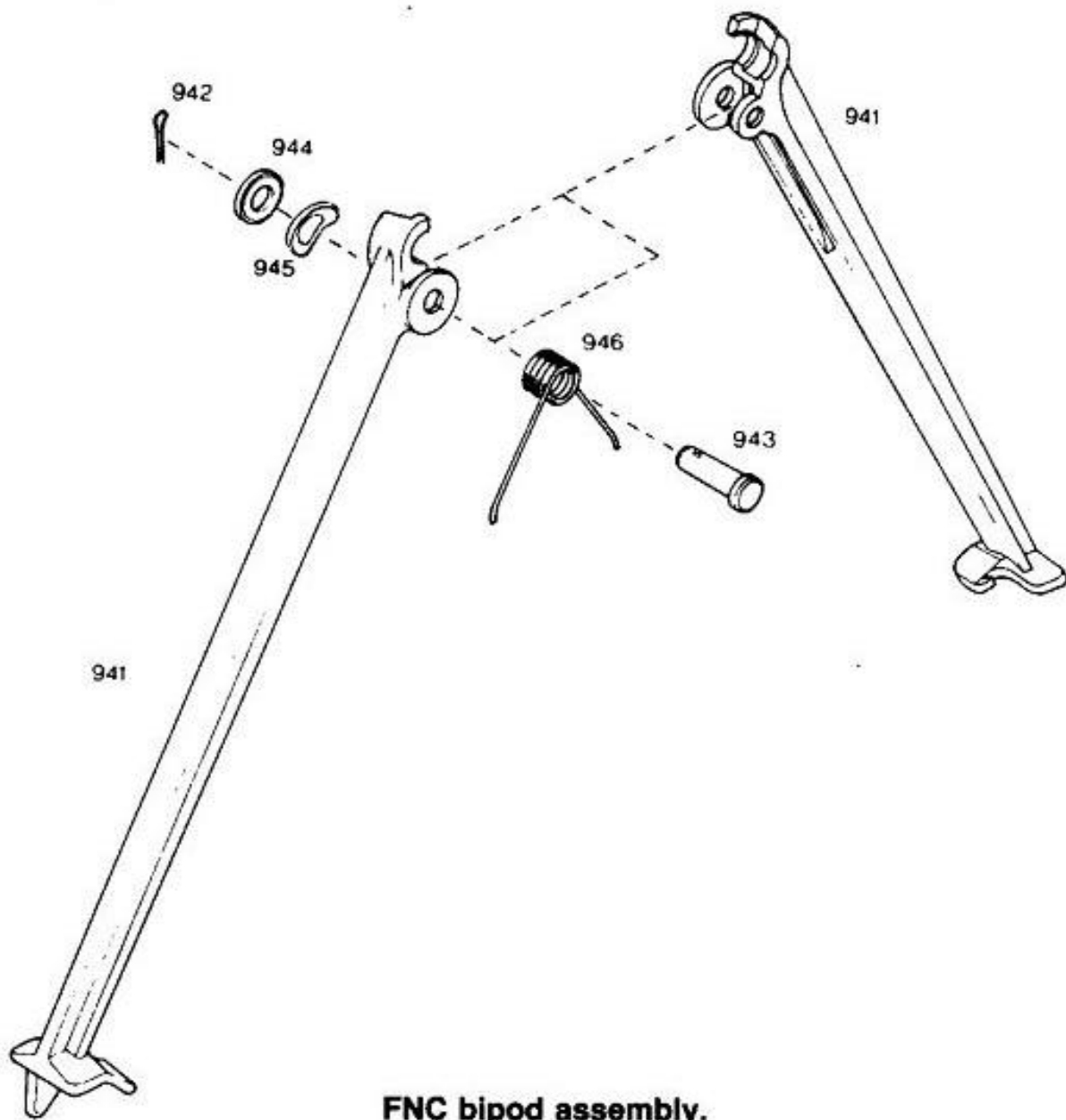
FNC lower receiver assembly (trigger group)



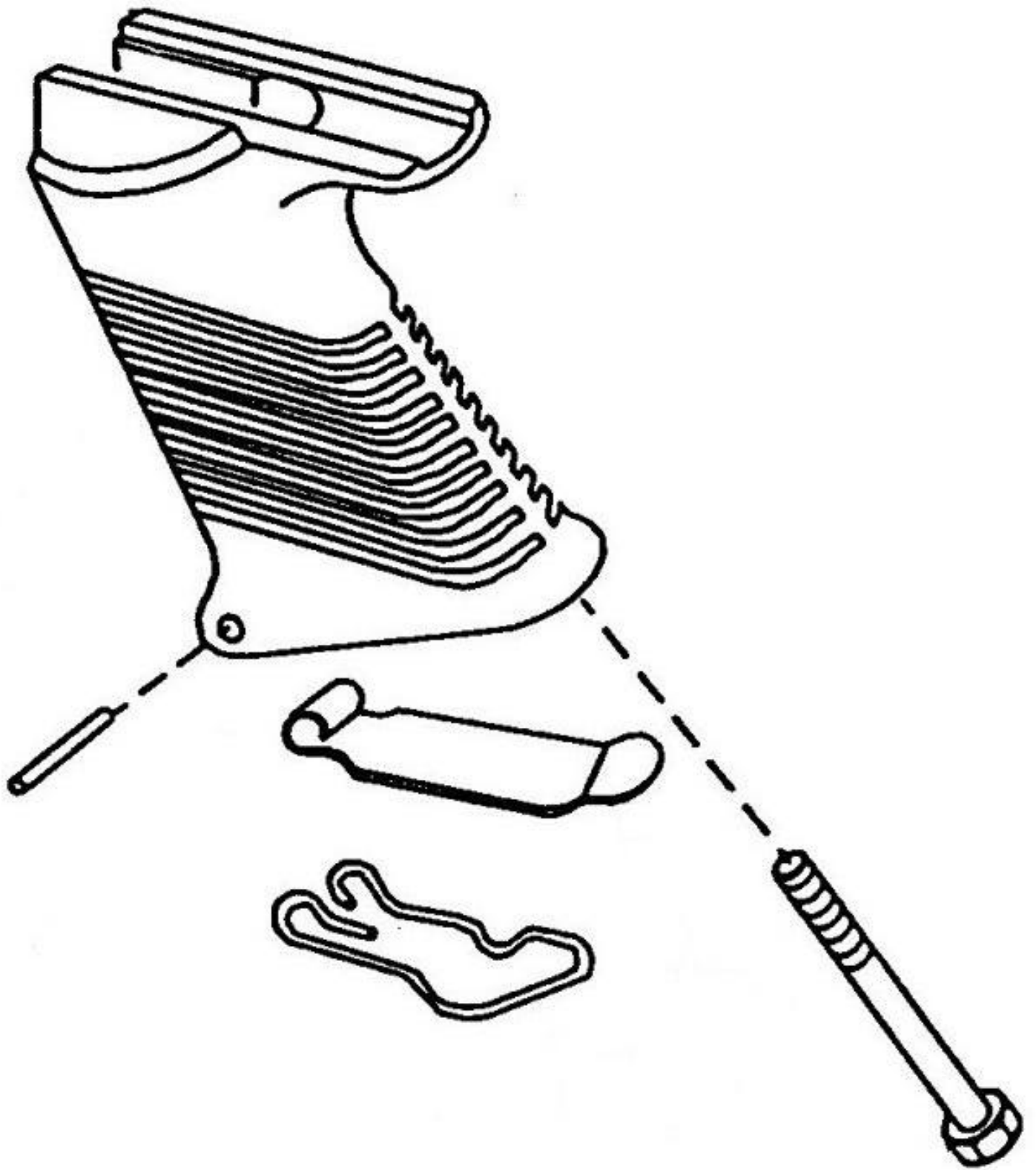
FNC buttstock assembly.



FNC telescopic sight mount assembly.



FNC bipod assembly.



pistol grip assembly (new version)