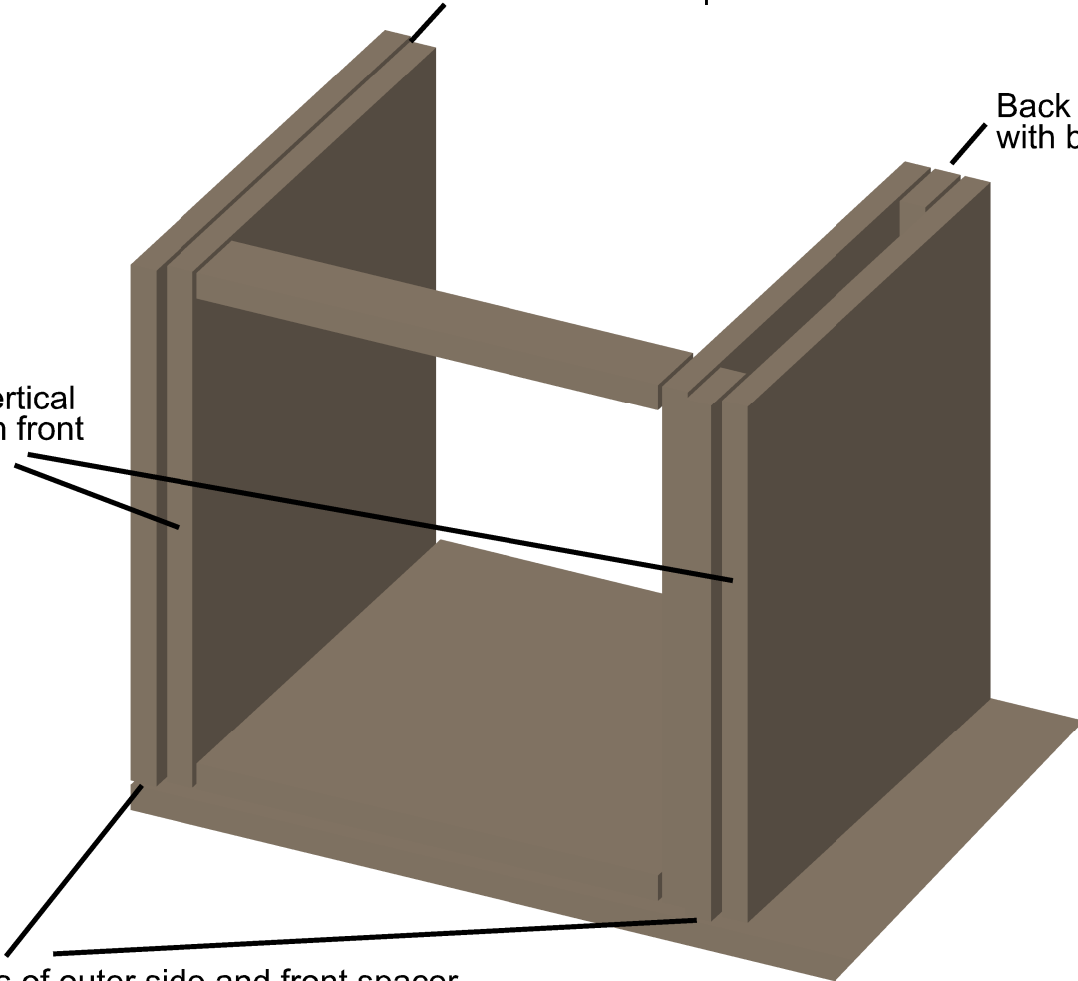


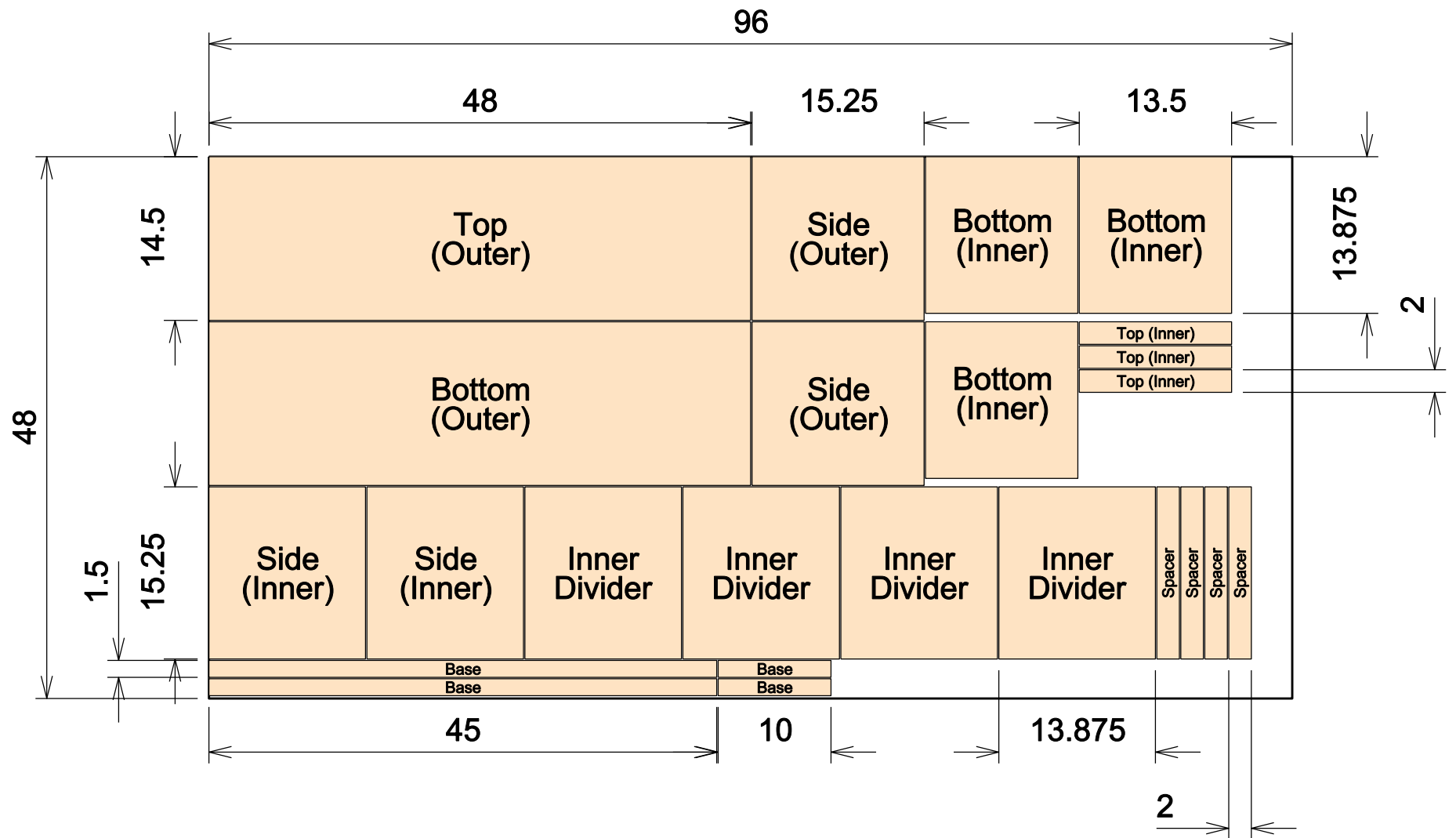
1/4" offset forms recess for back panel

Back edge of rear spacer flush with back edges of dividers

Inner side panel and vertical dividers offset 3/8" from front edge of outer bottom

Front edges of outer side and front spacer flush with front edge of bottom





All dimensions are in inches

Material is 3/4" MDF