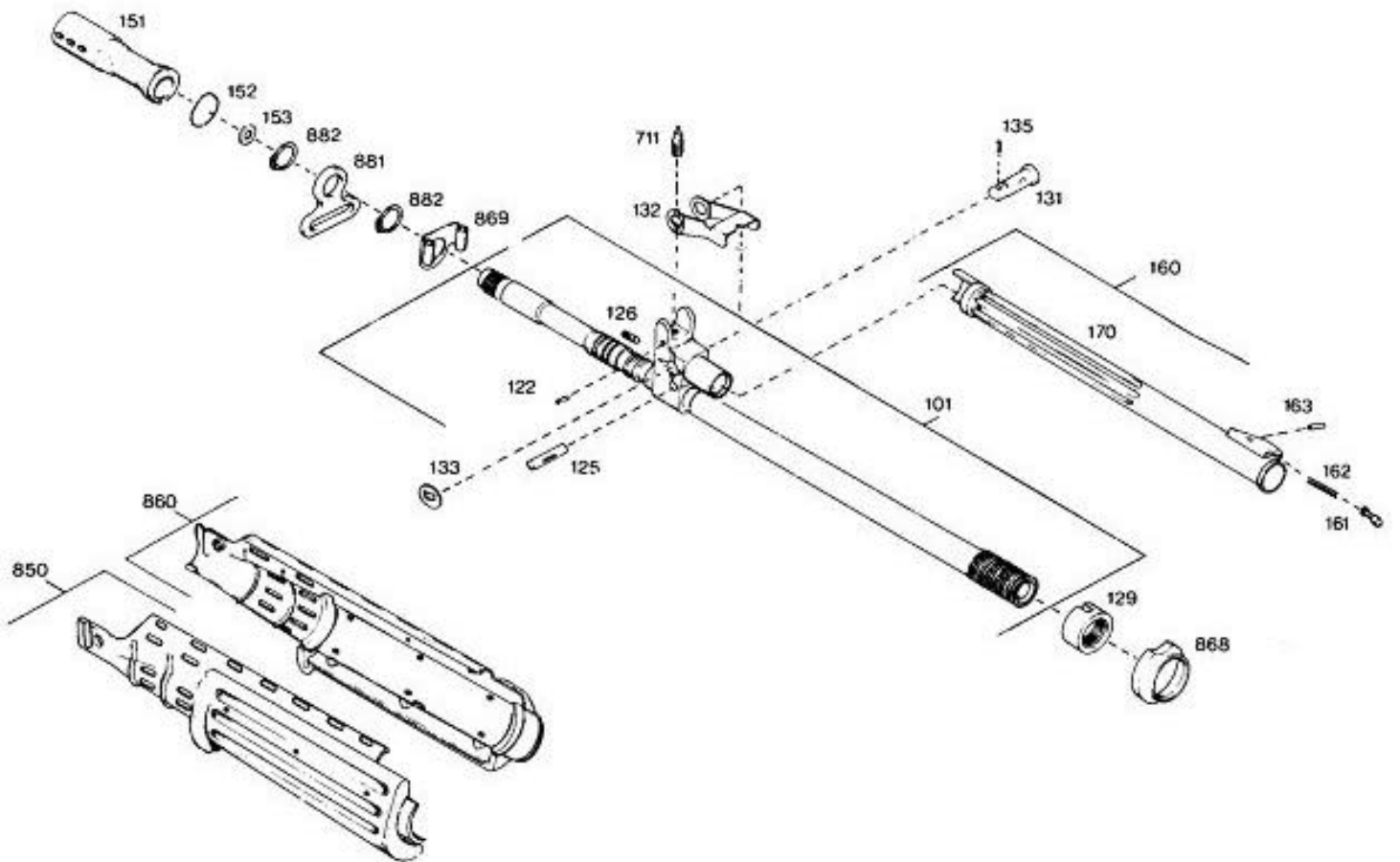
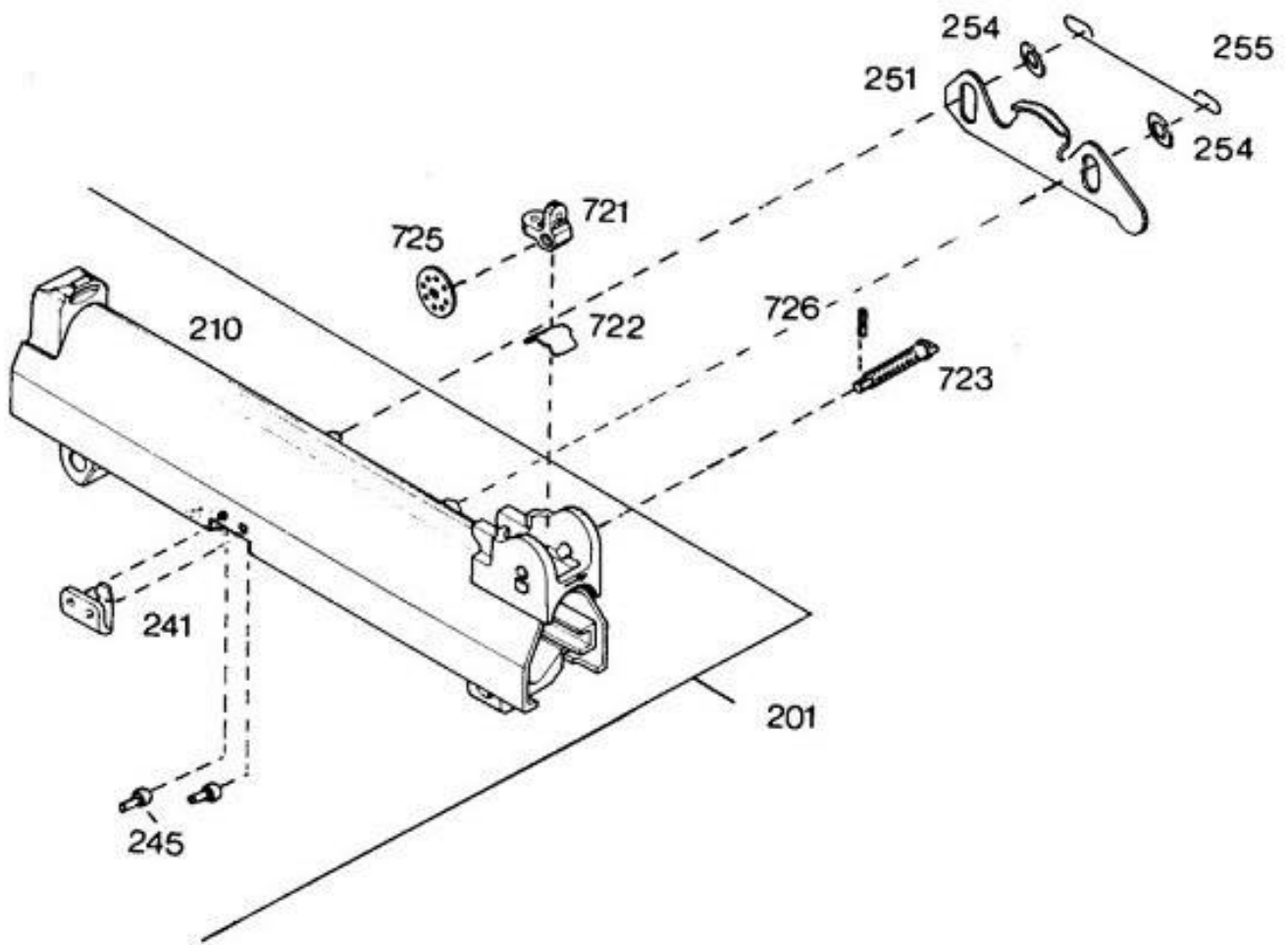


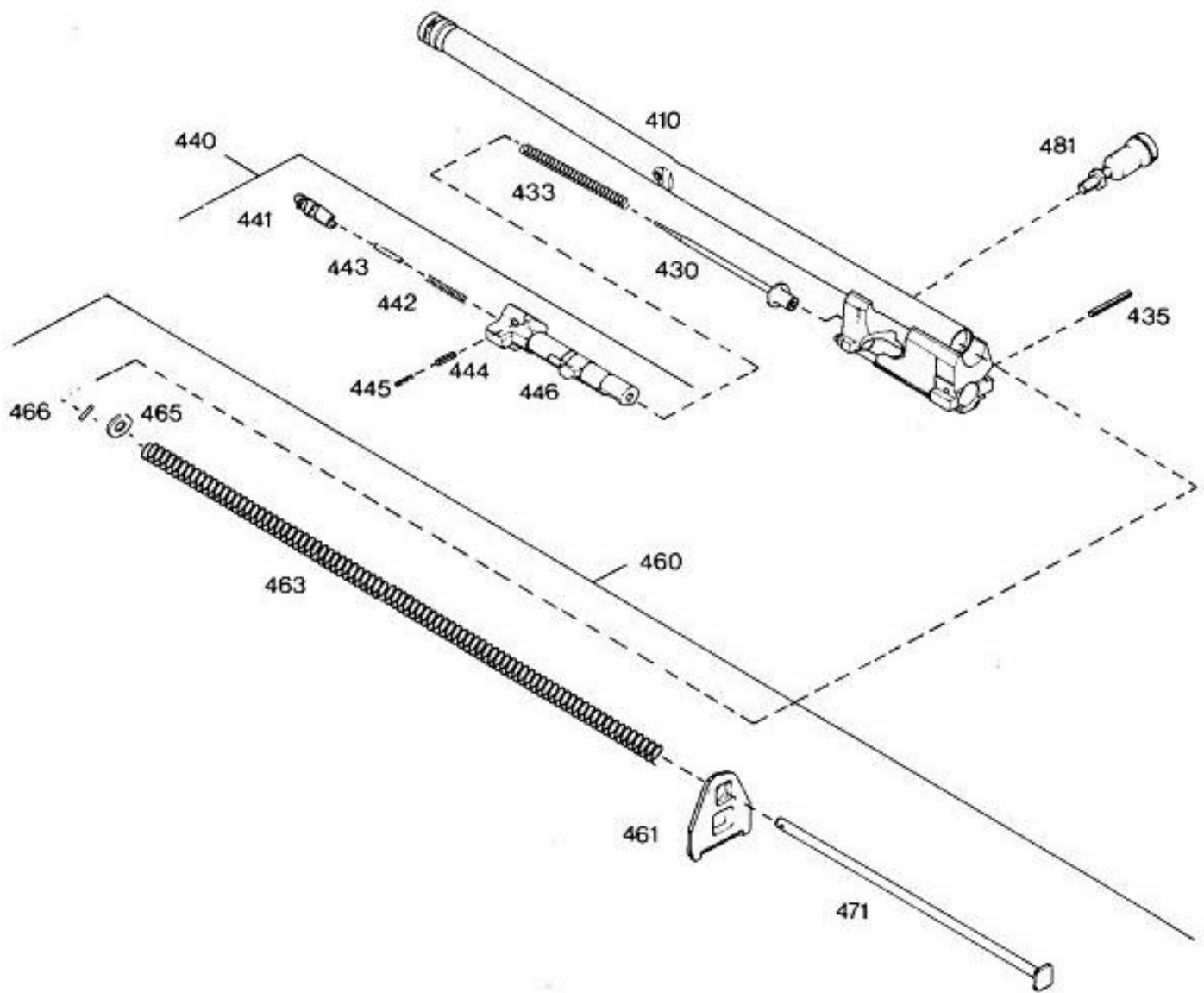
FNC Parts Numbers

101	Barrel assembly	461	Stop plate	567	Rack stop
122	Pin, alidade stop	465	Washer, rest	568	Rack axis pin
125	Pin, gas block	466	Retaining pin, rest washer	580	Selector lever
126	Center punch	471	Return spring guide	590	Magazine catch assembly
129	Breech block adjusting nut	481	Cocking handle	595	Magazine catch spring
131	Axis, alidade (grenade sight)	511	Trigger group housing	596	Magazine catch button
132	Alidade (grenade sight)	512	Trigger guard retaining pin	597	Magazine catch pin
133	Spring alidade	514	Retaining pin circlip	711	Front sight
135	Pin, alidade axis	516	Index spring	721	Rear sight
151	Flash suppressor	521	Automatic sear	722	Rear sight spring
152	Retaining spring, grenade	522	Automatic sear axis pin	723	Rear sight axis pin
153	Adjusting washer, flash suppressor	525	Automatic sear spring	725	Rear sight spring pawl
160	Gas cylinder assembly complete	531	Hammer	726	Pawl retaining pin
161	Indicating plunger	532	Hammer pawl pin	810	Folding buttstock assembly
162	Retaining plunger spring	533	Hammer pawl	820	Folding stock components
163	Retaining pin, indicating plunger	536	Hammer pawl spring	826	Plastic upper tube sleeve
170	Gas cylinder assembly	538	Hammer axis pin	827	Brace
201	Receiver assembly complete	541	Hammer stay	828	Hinge assembly block
210	Receiver components	542	Hammer spring	829	Buttstock pin
241	Ejector	543	Hammer spring rest	831	Hinge plunger
245	Rivet, ejector	551	Trigger	833	Hinge retaining pin
251	Cover, cocking channel	552	Front sear	835	Buttstock bolt
254	Washer, cocking channel cover	553	Rear sear	837	Buttstock support block
255	Spring, cocking channel cover	554	Bush, sears axis pin	838	Buttstock support washer
410	Bolt carrier assembly	555	Sears spring	839	Buttstock support screw
430	Firing pin assembly	556	Trigger axis	850	Handguard assembly, left
433	Spring, firing pin	557	Trigger spring	860	Handguard assembly, right
440	Bolt assembly	558	Trigger spring axis	868	Rear barrel collar
441	Extractor	560	Burst control assembly	869	Handguard spring
442	Extractor spring	561	Burst control housing	871	Pistol grip
443	Extractor spring guide	562	Rack assembly	872	Trigger guard
444	Extractor retaining spring	563	Rack body	876	Pistol grip screw
445	Pin, extractor, inner	564	Rack stud	881	Front sling swivel
446	Bolt-head	565	Rack spring	882	Sling swivel circlip
460	Return spring assembly	566	Secondary rack		

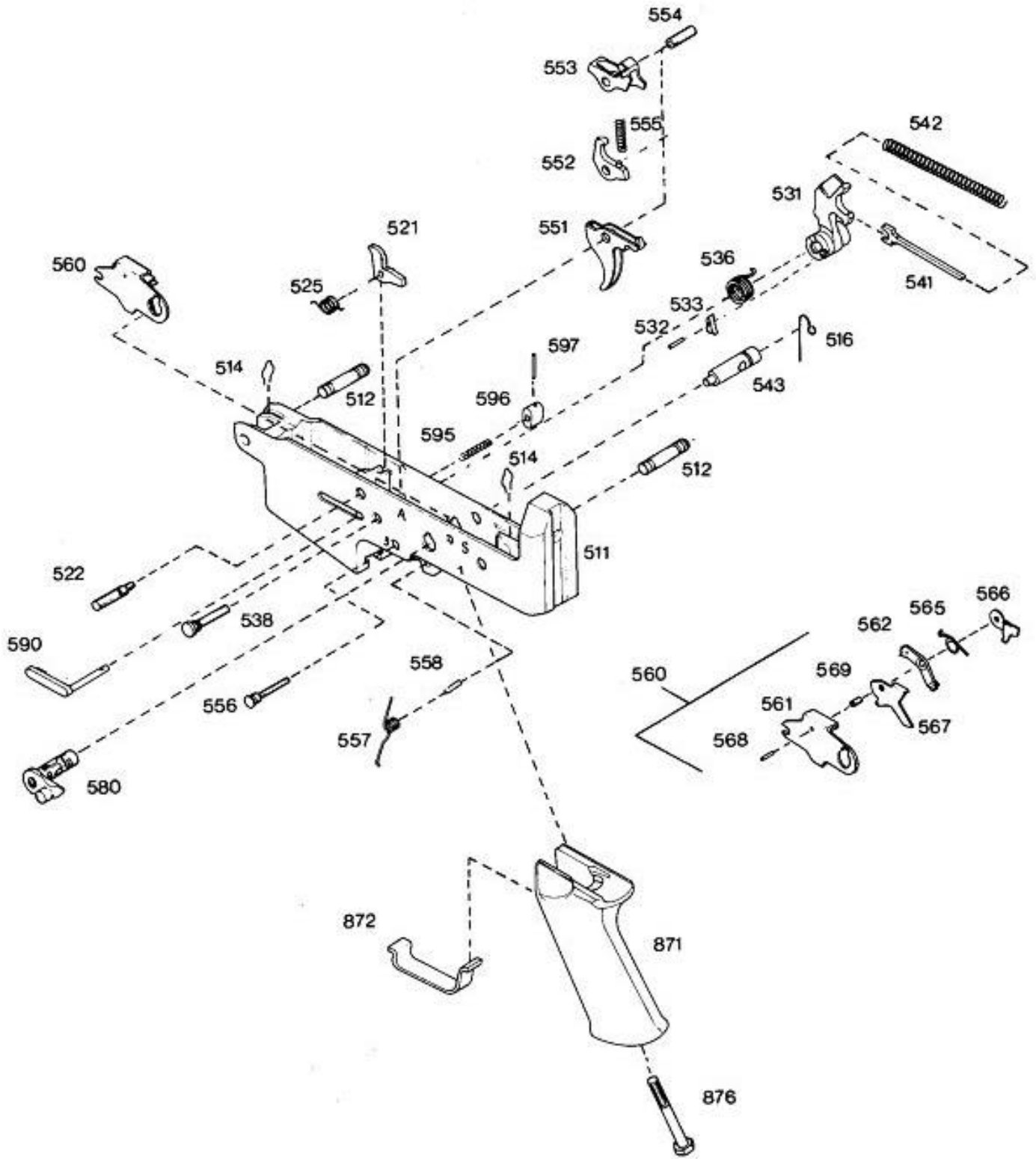




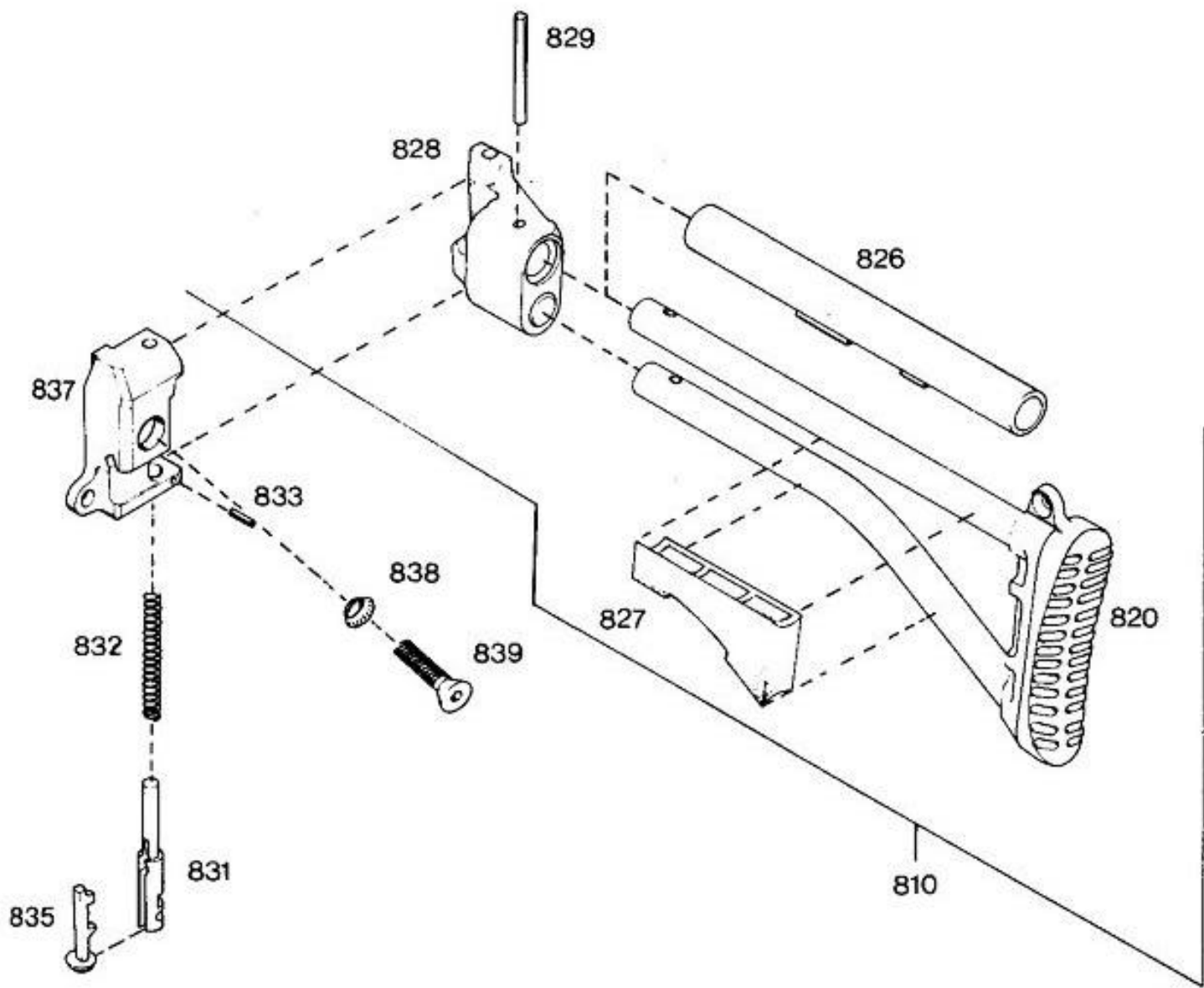
FNC upper receiver assembly.



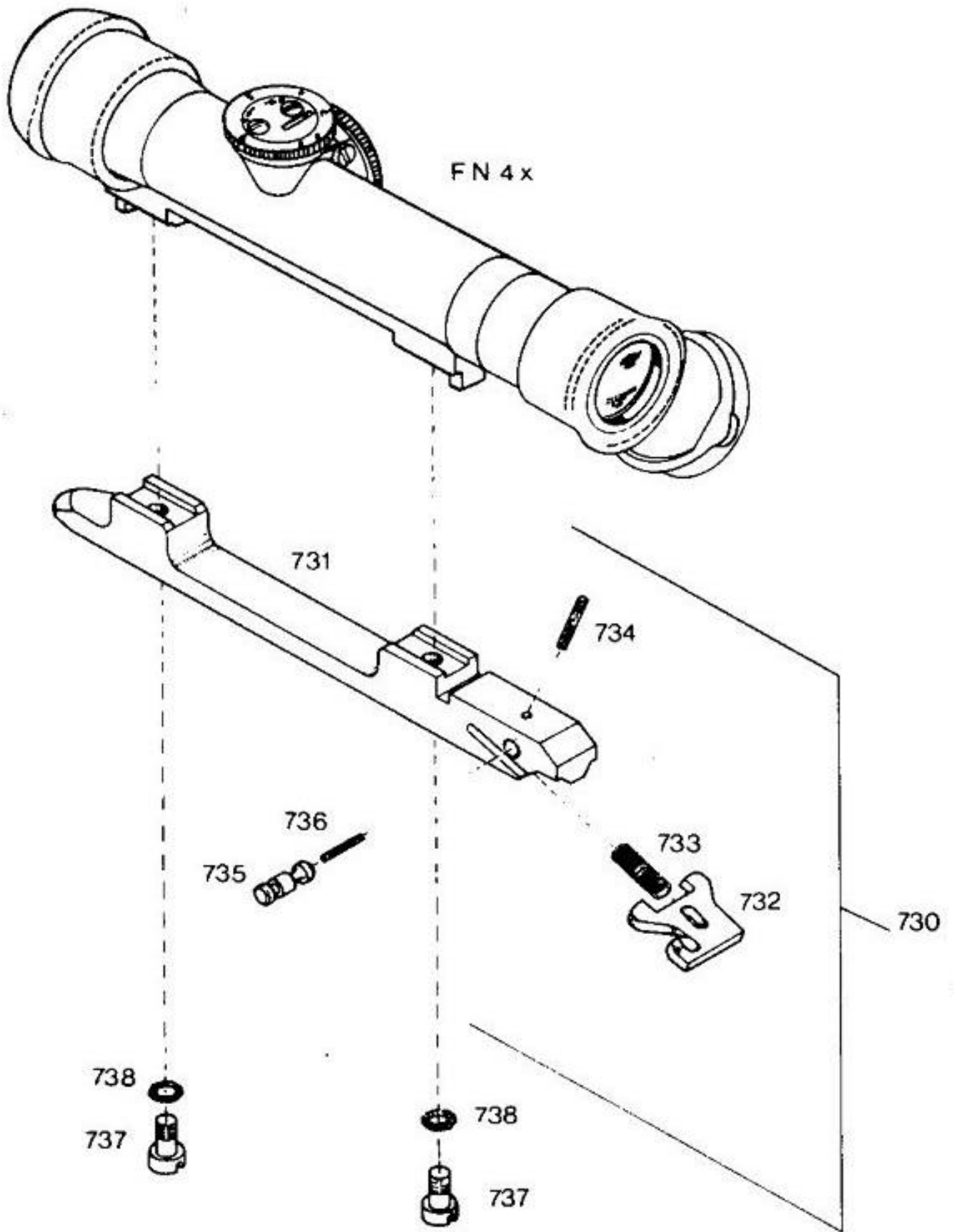
FNC bolt and bolt carrier assembly.



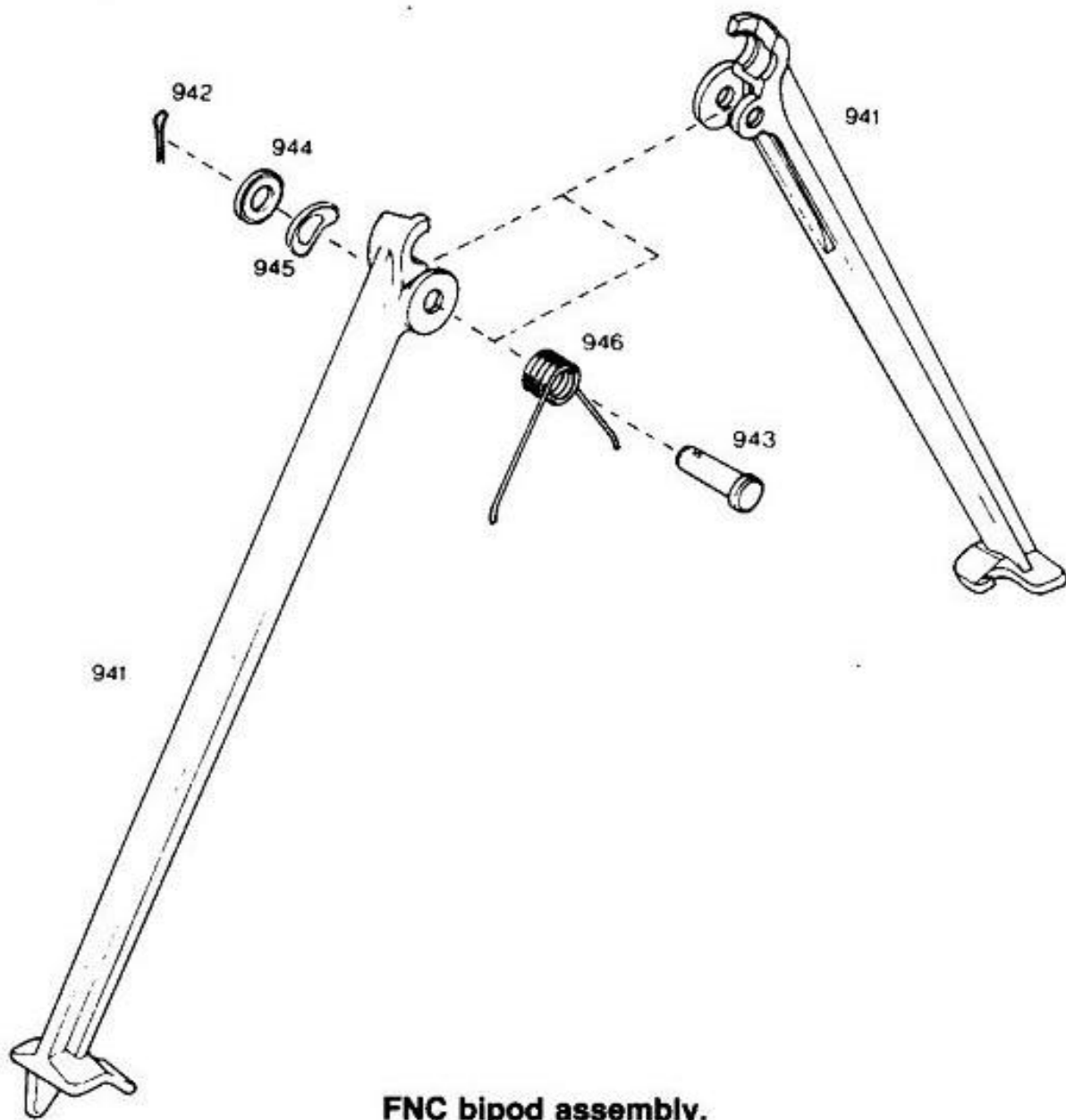
FNC lower receiver assembly (trigger group)



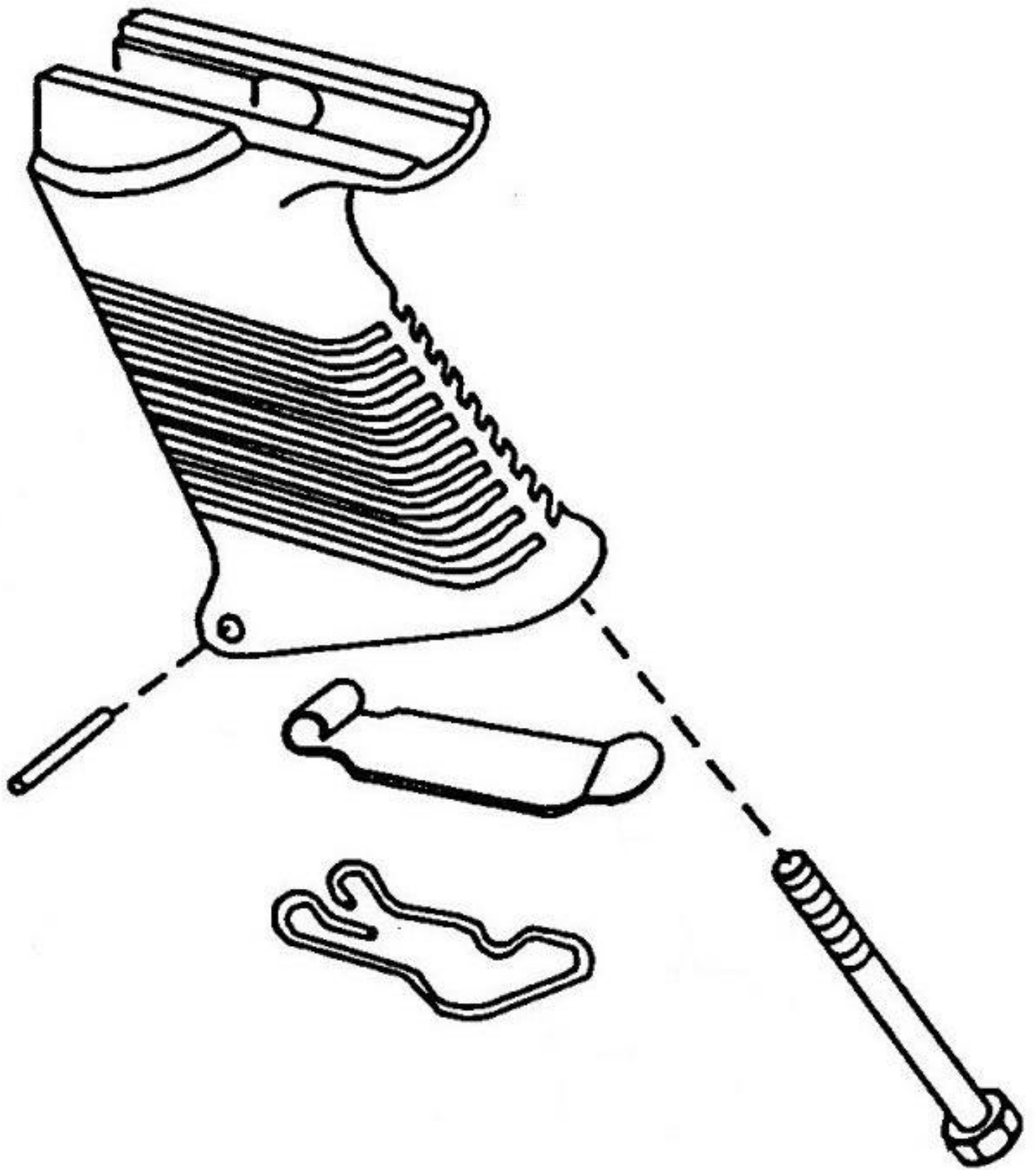
FNC buttstock assembly.



FNC telescopic sight mount assembly.



FNC bipod assembly.



pistol grip assembly (new version)